

GENERAL DIMM TOLERANCES EXCEPT WHERE STATED
 GENERAL ANGULAR ±2.0mm Length / ±1.0mm HoleHole ±0°30'
 ALL DIMENSIONS IN MILLIMETRES UNLESS OTHERWISE STATED
 6mm Fillet Weld (z) WPS1 UNLESS OTHERWISE STATED



DO NOT SCALE IF IN DOUBT PLEASE ASK

CLIENT:
Spence Construction

CONTRACT TITLE:
Blackhorse Road Station

DRAWING TITLE:
Cladding Structure Framework GA

CONTRACT No. 4848	QUOTATION No. 12221
-----------------------------	-------------------------------

DRAWING No.
4848-02-01

DRAWN BY KM	CHECKED BY NH
-----------------------	-------------------------

FIRST ISSUE DATE 14/11/2017	SHEET 1 of 6
---------------------------------------	------------------------

SCALE 1:70	SHEET SIZE A3 Landscape
----------------------	-----------------------------------

Revision A	21/03/2018	KM
Adjusted for column A repositioning to building top		

Revision B	01/05/2018	KM
Updated with Fab drawing numbers and PFC uprights for cladding fix		

Revision C	12/06/2018	KM
Framework revised following site dim check		

Revision D		
Revision E		
Revision F		

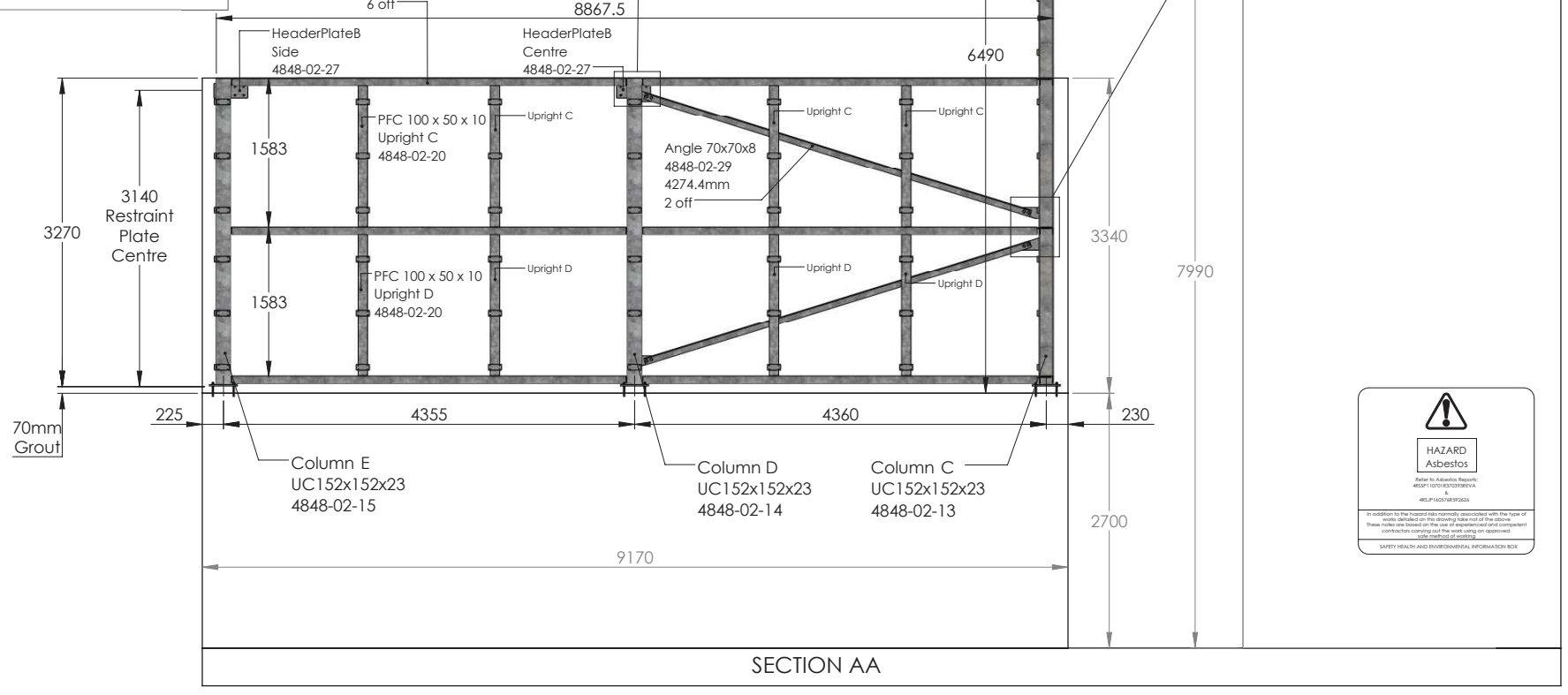
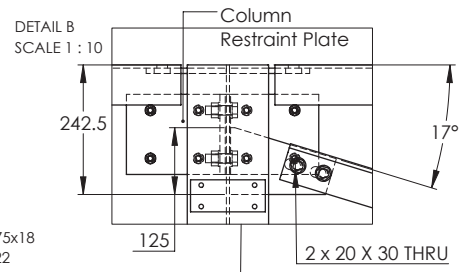
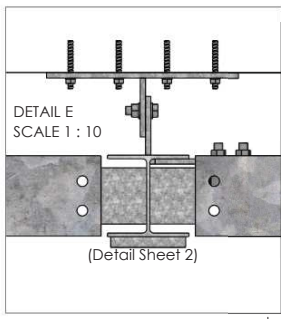
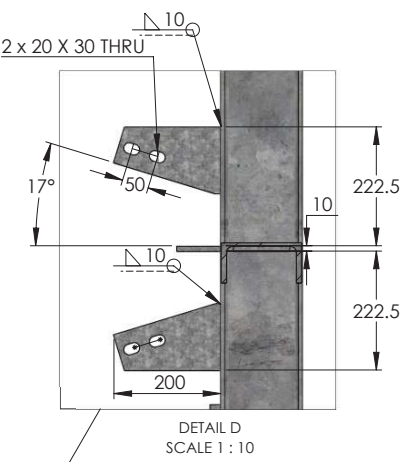
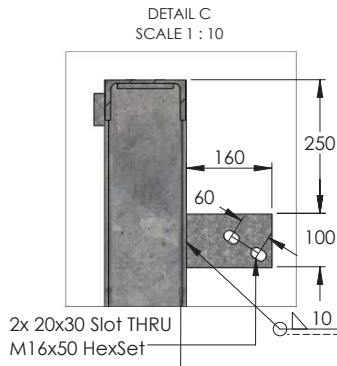
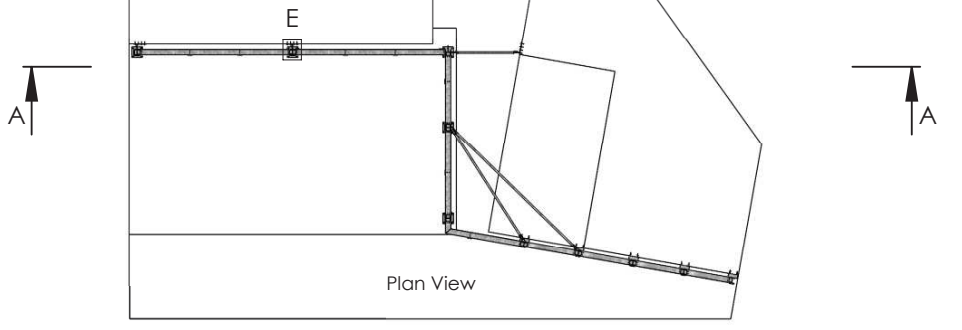
CLIENT APPROVED:

EN 1090 EXC2	YES	NO
--------------	-----	----

NDT Req'd ?	YES	NO
-------------	-----	----



The copyright in this drawing is owned by Assesmont Ltd. It may not be published or reproduced in any material form without the express written consent of the Company.



GENERAL DIMM TOLERANCES EXCEPT WHERE STATED
GENERAL ±2.0mm Length / ±1.0mm Hole/Hole ANGULAR ±0°30'

ALL DIMENSIONS IN MILLIMETRES UNLESS OTHERWISE STATED

6mm Fillet Weld (z) WPS1 UNLESS OTHERWISE STATED

DO NOT SCALE IF IN DOUBT PLEASE ASK

THIRD ANGLE PROJECTION

CLIENT: **Spence Construction**

CONTRACT TITLE: **Blackhorse Road Station**

DRAWING TITLE: **Cladding Structure Framework GA**

CONTRACT No. **4848** QUOTATION No. **12221**

DRAWING No. **4848-02-01**

DRAWN BY: **KM** CHECKED BY: **NH**

FIRST ISSUE DATE: **14/11/2017** SHEET: **3 of 6**

SCALE: **1:50** SHEET SIZE: **A3 Landscape**

Revision	Date	By	Description
A	21/03/2018	KM	Adjusted for column A repositioning to building top
B	01/05/2018	KM	Updated with Fab drawing numbers and PFC uprights for cladding fix
C	12/06/2018	KM	Framework revised following site dim check
D			
E			
F			

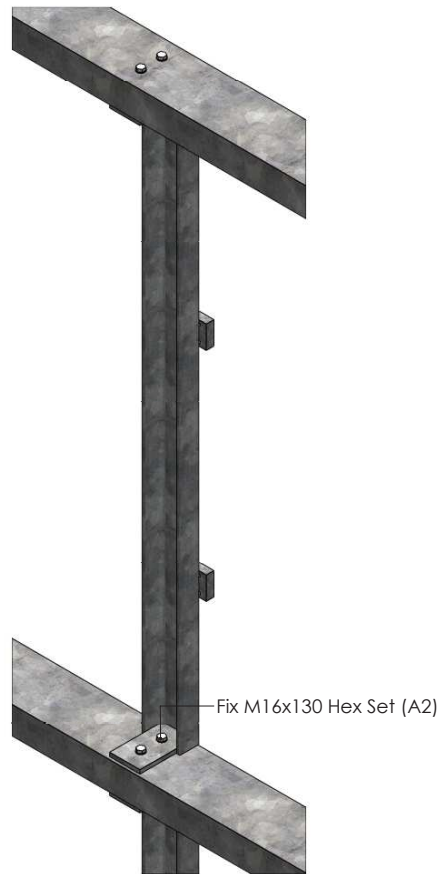
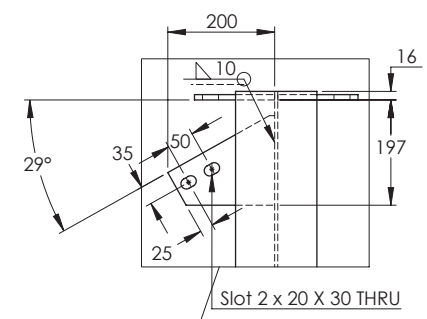
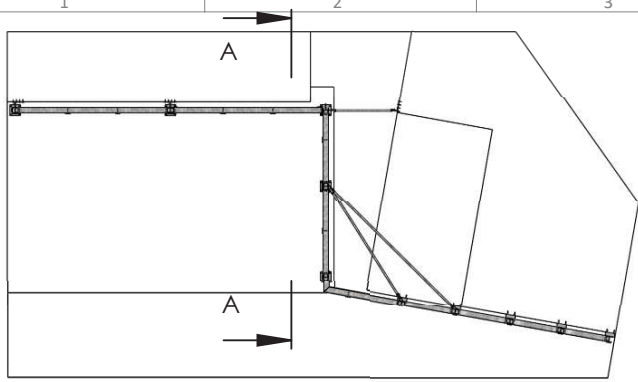
CLIENT APPROVED:

EN 1090 EXC2 YES NO

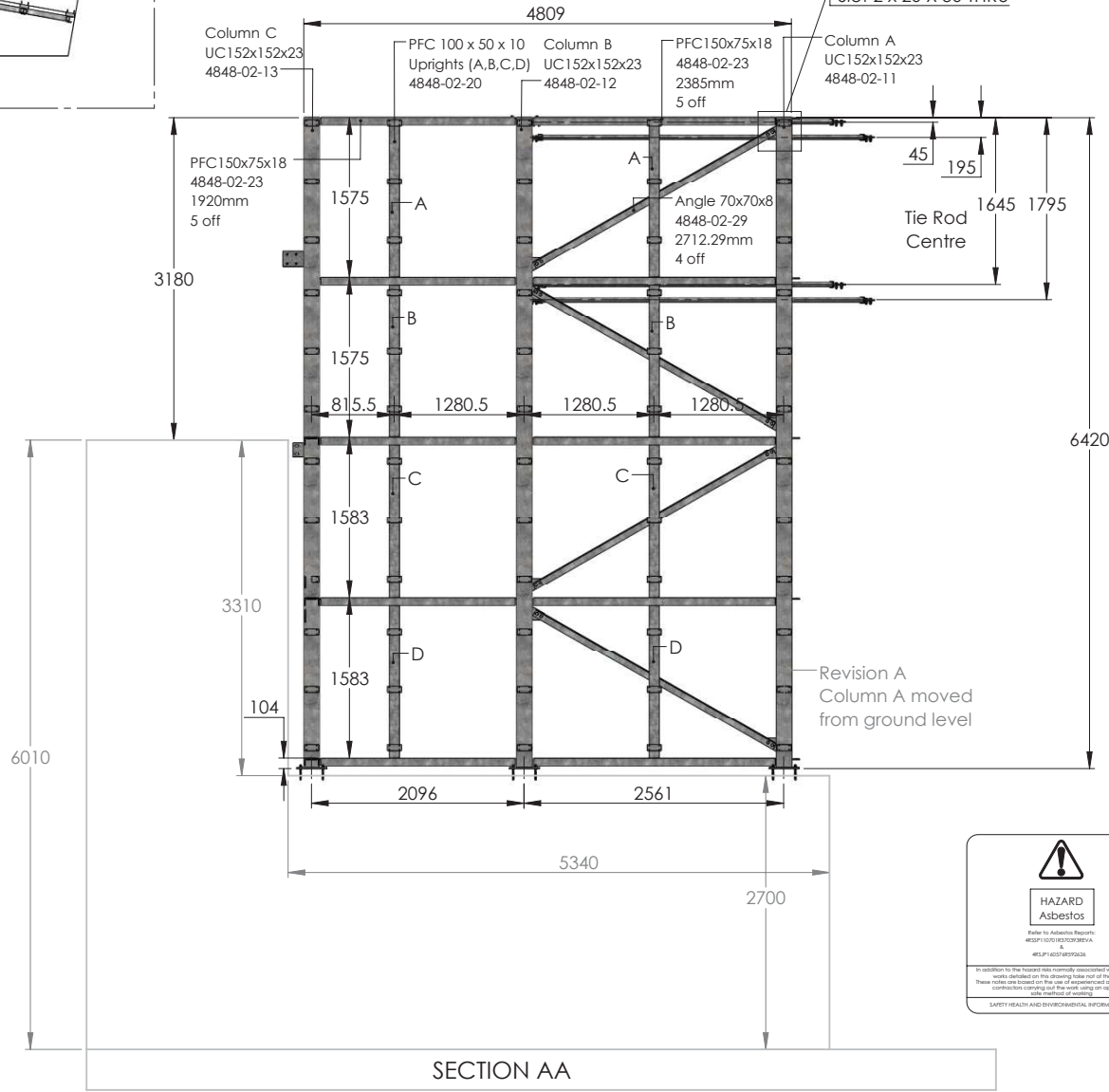
NDT Req'd ? YES NO

ASSESMONT
STEEL FABRICATION & INSTALLATION
SHOT BLASTING & POWDER COATING

The copyright in this drawing is owned by Assesmont Ltd. It may not be published or reproduced in any material form without the express written consent of the Company.



DETAIL C
SCALE 1 : 10





HAZARD
Asbestos

Refer to Asbestos Report: 48291-1028-0230-3839-A
&
48347-0230-0230-3839-A

In addition to the hazard risk normally associated with this type of work identified on this drawing take note of the above. These notes are based on the use of appropriate and approved construction controls for the work being carried out in accordance with the method of working.

SAFETY HEALTH AND ENVIRONMENTAL INFORMATION BOX

GENERAL DIMM TOLERANCES EXCEPT WHERE STATED
 GENERAL ±2.0mm Length / ±1.0mm Hole/Hole
 ANGULAR ±0°30'

ALL DIMENSIONS IN MILLIMETRES
 UNLESS OTHERWISE STATED

6mm Fillet Weld (z) WPS1
 UNLESS OTHERWISE STATED

DO NOT SCALE
 IF IN DOUBT PLEASE ASK

THIRD ANGLE PROJECTION

CLIENT:
Spence Construction

CONTRACT TITLE:
Blackhorse Road Station

DRAWING TITLE:
Cladding Structure Framework GA

CONTRACT No. 4848	QUOTATION No. 12221
-----------------------------	-------------------------------

DRAWING No.
4848-02-01

DRAWN BY KM	CHECKED BY NH
-----------------------	-------------------------

FIRST ISSUE DATE 14/11/2017	SHEET 4 of 6
---------------------------------------	------------------------

SCALE 1:50	SHEET SIZE A3 Landscape
----------------------	-----------------------------------

Revision A	21/03/2018	KM
Adjusted for column A repositioning to building top		

Revision B	01/05/2018	KM
Updated with Fab drawing numbers and PFC uprights for cladding fix		

Revision C	12/06/2018	KM
Framework revised following site dim check		

Revision D		
----------------------	--	--

Revision E		
----------------------	--	--

Revision F		
----------------------	--	--

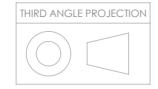
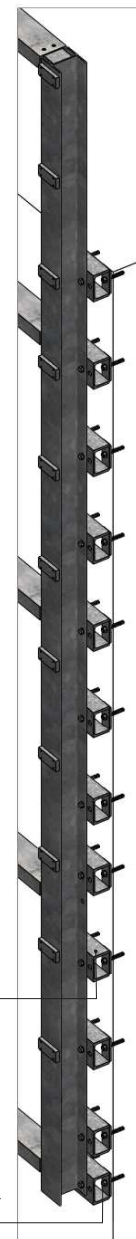
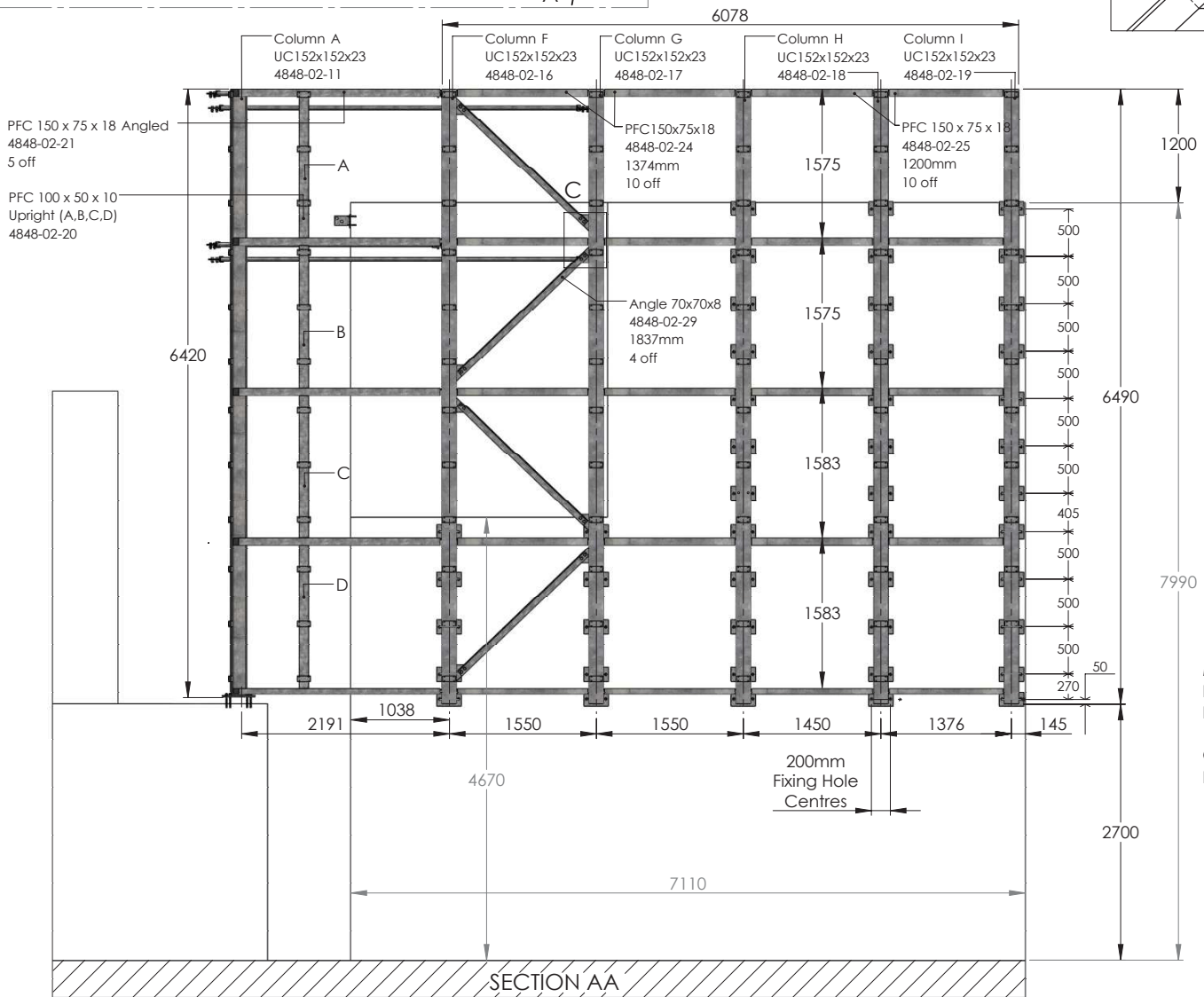
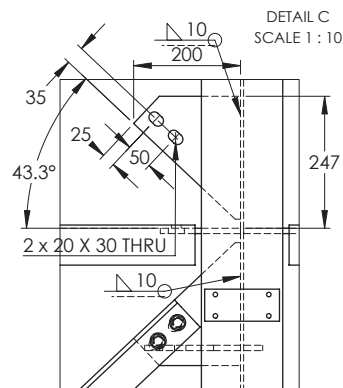
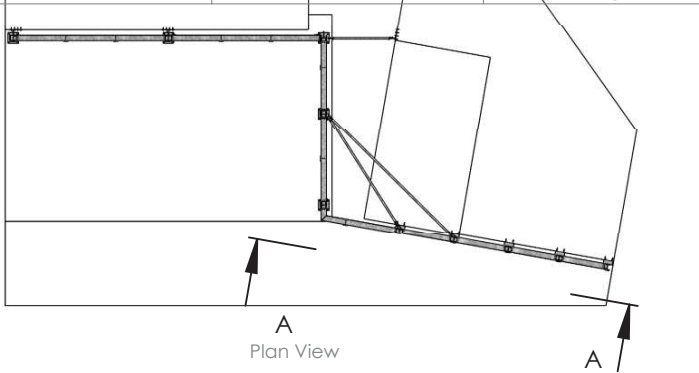
CLIENT APPROVED:

EN 1090 EXC2	YES	NO
--------------	-----	----

NDT Req'd ?	YES	NO
-------------	-----	----

ASSESMONT
 STEEL FABRICATION & INSTALLATION
 SHOT BLASTING & POWDER COATING

The copyright in this drawing is owned by Assesmont Ltd. It may not be published or reproduced in any material form without the express written consent of the Company.



GENERAL DIMM TOLERANCES EXCEPT WHERE STATED
 GENERAL ±2.0mm Length / ±1.0mm Hole/Slot
 ANGULAR ±0°30'
 ALL DIMENSIONS IN MILLIMETRES UNLESS OTHERWISE STATED
 6mm Fillet Weld (z) WPS1 UNLESS OTHERWISE STATED
 DO NOT SCALE IF IN DOUBT PLEASE ASK

CLIENT: **Spence Construction**

CONTRACT TITLE: **Blackhorse Road Station**

DRAWING TITLE: **Cladding Structure Framework GA**

CONTRACT No.	QUOTATION No.
4848	12221

DRAWING No. **4848-02-01**

DRAWN BY	CHECKED BY
KM	NH

FIRST ISSUE DATE	SHEET
14/11/2017	5 of 6

SCALE	SHEET SIZE
1:50	A3 Landscape

Revision	Date	By
A	21/03/2018	KM

Adjusted for column A repositioning to building top

Revision	Date	By
B	01/05/2018	KM

Updated with Fab drawing numbers and PFC uprights for cladding fix

Revision	Date	By
C	12/06/2018	KM

Framework revised following site dim check

Revision	Date	By
D		

Revision	Date	By
E		

Revision	Date	By
F		

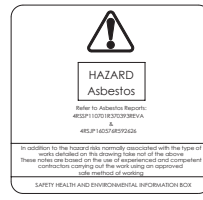
CLIENT APPROVED:

EN 1090 EXC2	YES	NO

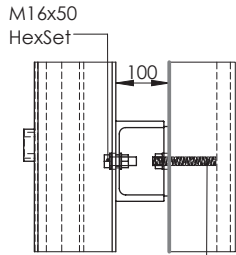
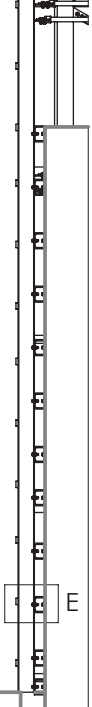
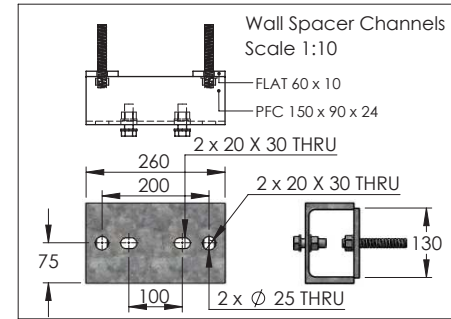
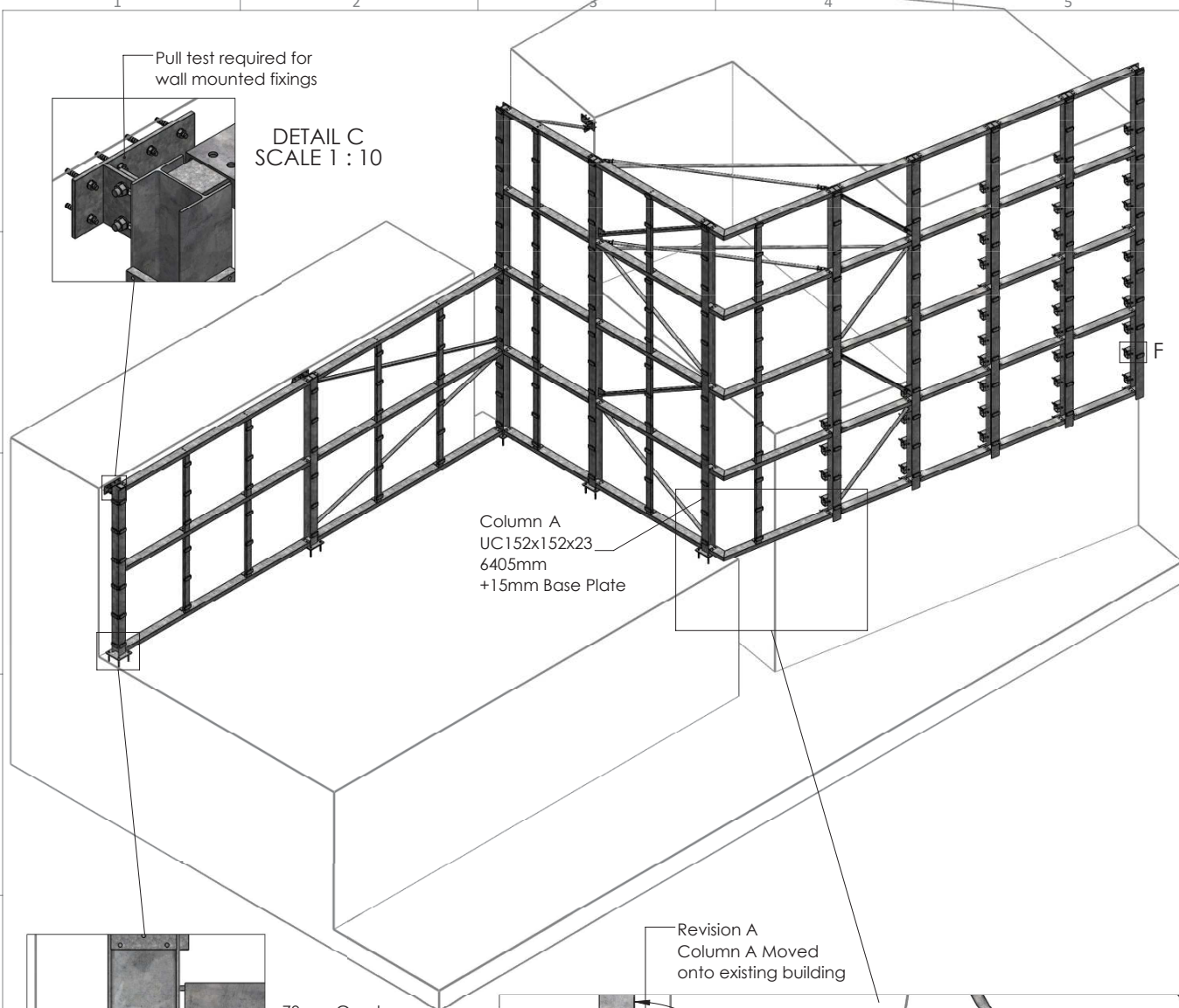
NDT Req'd ?	YES	NO



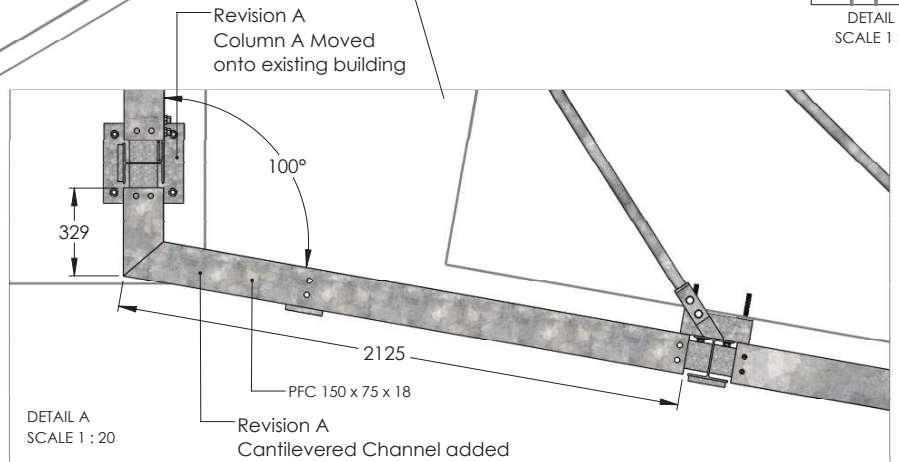
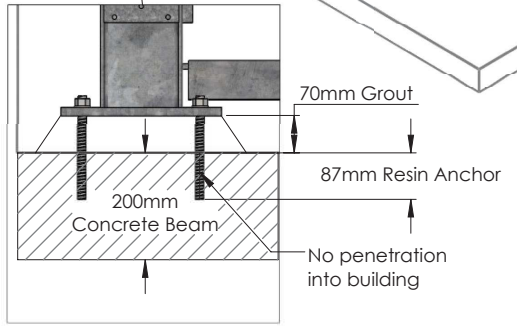
The copyright in this drawing is owned by Assesmont Ltd. It may not be published or reproduced in any material form without the express written consent of the Company.



In addition to the hazard risk normally associated with the type of work detailed on the drawing, there may be other hazards associated with the work. These risks are based on the use of experienced and competent construction workers, and the work being carried out in accordance with the method of working. SAFETY HEALTH AND ENVIRONMENTAL INFORMATION BOX



M16 Hilti
HiThy 200A Resin
HiThV Rod A4 (Grade 8.8)
Optimal Embedment
Depth 87mm



GENERAL DIMM TOLERANCES EXCEPT WHERE STATED
 GENERAL ±2.0mm Length / ±1.0mm Hole/Hole
 ANGULAR ±0°30'
 ALL DIMENSIONS IN MILLIMETRES
 UNLESS OTHERWISE STATED
 6mm Fillet Weld (z) WPS1
 UNLESS OTHERWISE STATED

DO NOT SCALE
 IF IN DOUBT PLEASE ASK

CLIENT:
Spence Construction

CONTRACT TITLE:
Blackhorse Road Station
 DRAWING TITLE:
Cladding Structure Framework GA

CONTRACT No.	QUOTATION No.
4848	12221

DRAWING No.
4848-02-01

DRAWN BY	CHECKED BY
KM	NH

FIRST ISSUE DATE	SHEET
14/11/2017	6 of 6

SCALE	SHEET SIZE
1:75	A3 Landscape

Revision	21/03/2018	KM
A	Adjusted for column A repositioning to building top	

Revision	01/05/2018	KM
B	Updated with Fab drawing numbers and PFC uprights for cladding fix	

Revision		
C		

Revision		
D		

Revision		
E		

Revision		
F		

CLIENT APPROVED:

EN 1090 EXC2	YES	NO
NDT Req'd ?	YES	NO



The copyright in this drawing is owned by Assesmont Ltd. It may not be published or reproduced in any material form without the express written consent of the Company.